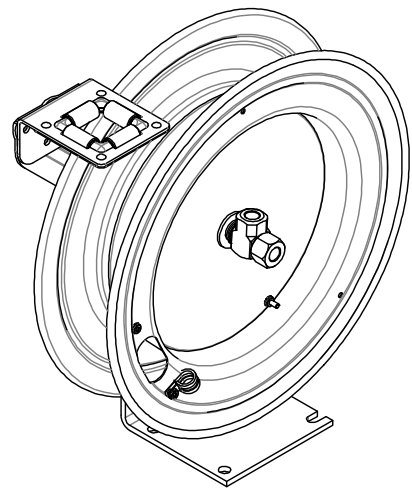
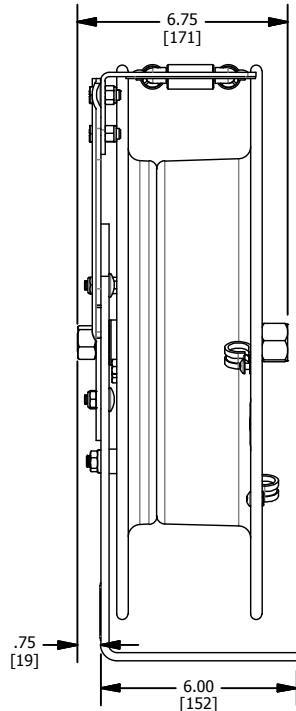
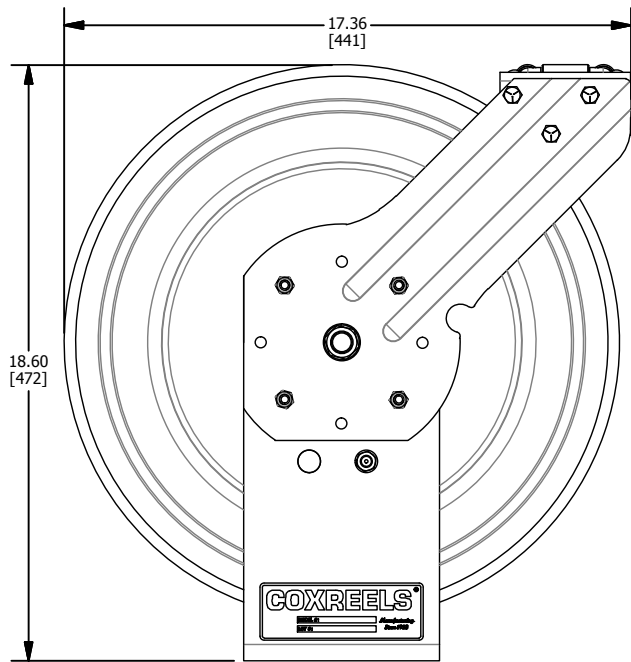
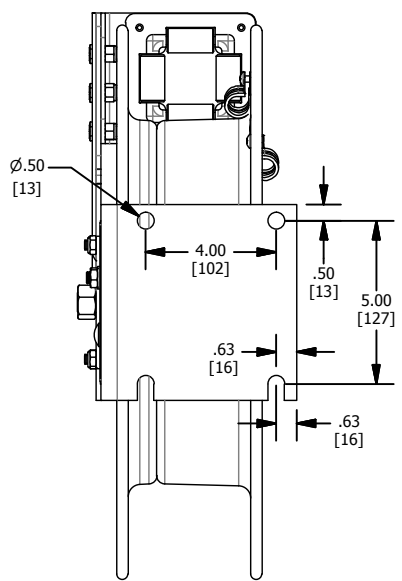


in[mm]



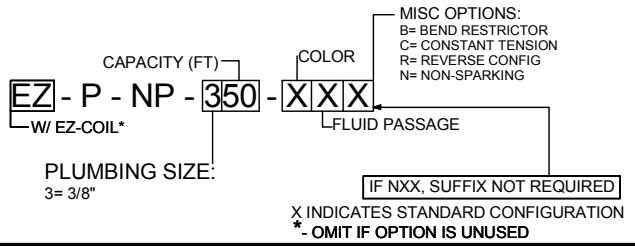
- NITRO PRO:**
- NITROGEN-QUALITY SEALS
 - ARM POSITIONS IN SAME CONFIGS AS P-SERIES
 - NITROGEN GREEN CPC POWDER COAT
 - NITROGEN GREEN PVC HOSE
 - DESIGNED FOR NITROGEN TIRE INFLATION



SPECIFICATIONS		
FEATURE	SPEC.	OPTION
PRESSURE	300 PSI	-
TEMPERATURE	-15 TO +150 F	-
INLET THREAD	NPT FEMALE	BSP
OUTLET THREAD	NPT MALE (ON HOSE)	BSP

MATERIAL SPECIFICATIONS		
COMPONENT	MATERIAL	OPTIONS
SWIVEL	BRASS	-
SEALS	NITRILE	VITON, EPDM, FOOD GRADE
REEL	STEEL	-
BEARINGS	BRONZE, SELF LUBE	-
BALL STOP	RUBBER	STAINLESS HARDWARE
FINISH	GREEN (N)	-

PART NUMBER



MODEL	I.D.	CAPACITY	PSI	WEIGHT
	in[mm]	ft[m]	PSI [BAR]	lbs[kg]
P-NP-350	3/8 [13]	50 [15]	300 [21]	43 [19]

COXREELS
 5865 S Ash Avenue Tempe, Az 85283
 1-800-COX-REEL www.coxreels.com
 THIS DOCUMENT CONTAINS PROPRIETARY INFORMATION AND IS THE PROPERTY OF COXREELS, INC. THE COPYING, DISTRIBUTION AND UTILIZATION OF THIS DOCUMENT AS WELL AS COMMUNICATION OF ITS CONTENT TO OTHERS WITHOUT THE WRITTEN AUTHORIZATION OF COXREELS, INC., IS PROHIBITED.

TITLE: **NITRO PRO SERIES**

DWG. NO.: **NITRO PRO** REV. -

3RD ANGLE INTERPERT PER ASME : Y14.5M-1994 DO NOT SCALE DWG. SIZE: A SHT: 1 OF: 1